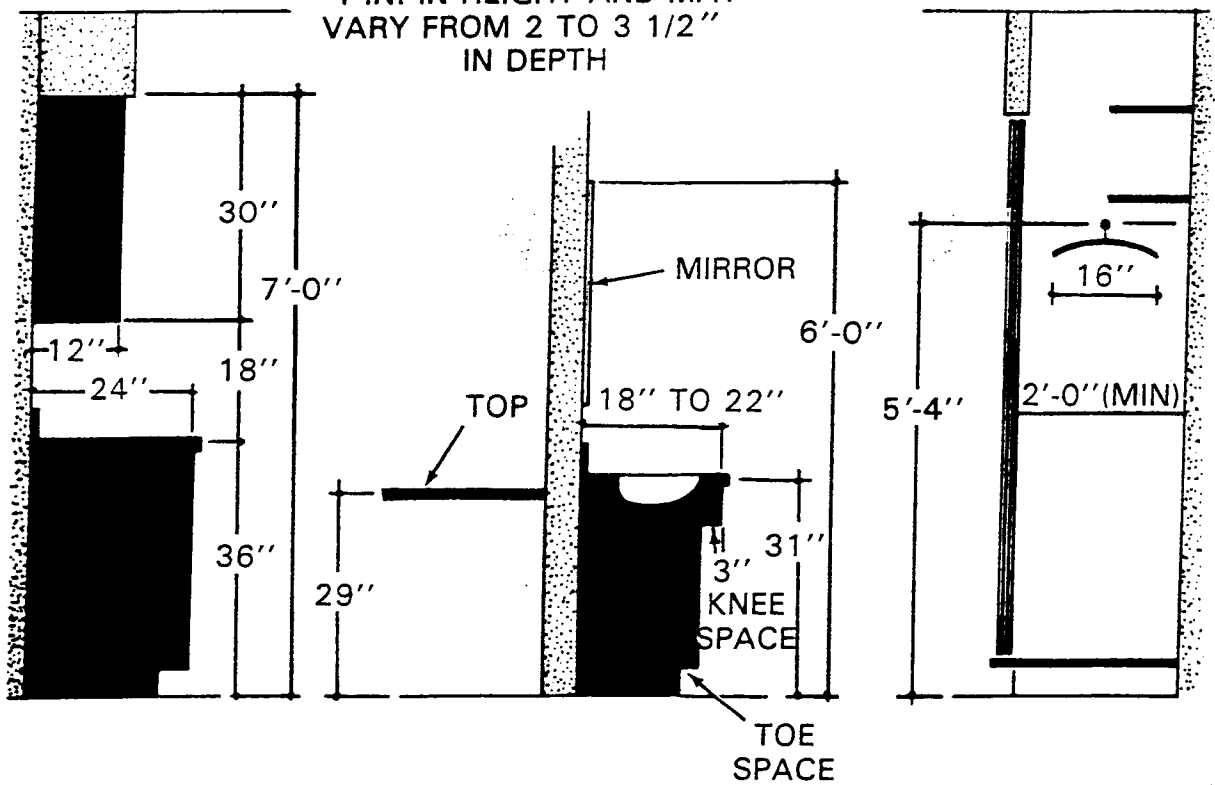


Figure 60-5. Parts of a typical base cabinet. A face frame fits into the front of the cabinet. A web frame fits into the top of the cabinet.

# Standard Cabinet Dimensions

TOE SPACE IS A NOMINAL  
4 IN. IN HEIGHT AND MAY  
VARY FROM 2 TO 3 1/2"  
IN DEPTH



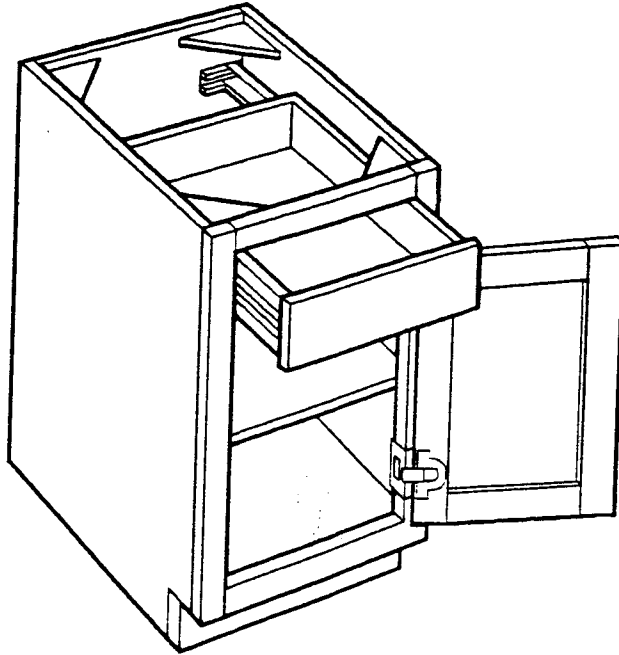
KITCHEN  
CABINETS

DESKS AND  
DINING TABLES

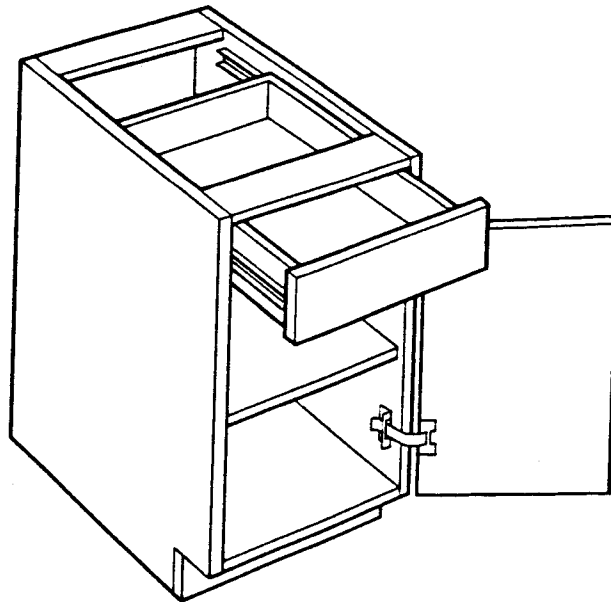
BATHROOM  
LAVATORY

CLOSETS &  
WARDROBES

# Cabinet Styles



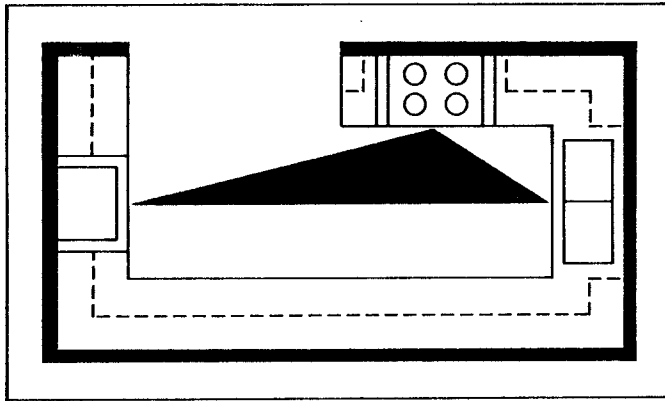
FACE-FRAME  
(frame with cover)



FRAMELESS

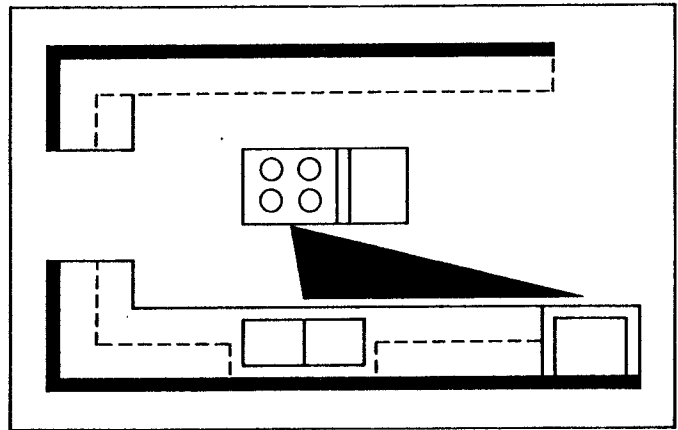
A special case of the Broken "U" is what is sometimes known as a separate center assembly. It is made up of three one-wall sections on separate walls, all isolated by doorways. This arrangement is not recommended because 1) there is traffic in the work triangle, 2) centers are isolated from one another, 3) more counters are required because the advantage of multiple use is lost, 4) doors are likely to conflict with use of appliances, cabinets, or other doors.

### 5. "G" Shape



The "G" shape kitchen is a new approach gaining popularity. It is an extension of the "U" shape, with an extra wall for cabinets and appliances. The tighter work triangle of the U-shape kitchen is loosened up and expanded, making the area comfortable for more people or activities.

### 6. Island-Shape



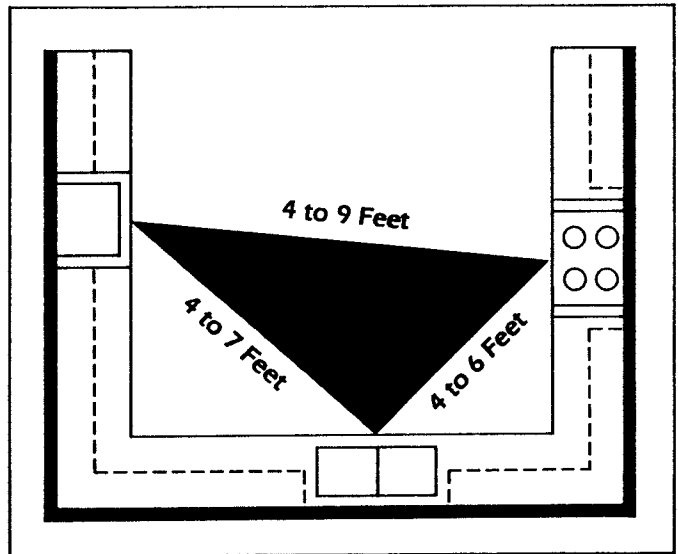
Island kitchens are space maximizers. They are most effective when combined with an "L"-or "U"-shaped kitchen. This plan shortens the work triangle making it very manageable. It also gives added storage space, increases work surfaces and can accommodate an informal dining area close to where the food is prepared. Oftentimes, the rangetop is installed in the island; this may necessitate a special ventilation system built in above the island. The major disadvantage of an island kitchen is that often the island has been squeezed into a kitchen area where there is not enough square footage of space for it. As a result, the clearances between the island and the other working areas are too narrow. This inhibits working ease. The minimum clearance for a working island should be 36 to 39 inches.

## Work Triangle

Appliance placement is the first consideration after the kitchen layout is determined. The main appliances — sink, refrigerator, and range — form the work triangle when connected with imaginary lines. The appliances are the points of the triangle and the paths between them the sides. The total length of this triangle should not be less than 12 feet nor more than 22 feet. This size allows for enough counter and storage space so work isn't cramped, yet arranges appliances and their related centers so the cook won't cover great distances during meal preparation.

In determining the work triangle, include the built-in range, but not necessarily a built-in oven. A separate built-in oven along with extra storage, activity space, and traffic bypass should be outside the triangle's configuration. Because more trips are made between the sink and the range than any other work center, this leg of the triangle should be the shortest. Recommendations for distances between appliances are:

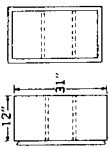
- Sink and range . . . . . Four to six feet**
- Sink and refrigerator . . . . Four to seven feet**
- Range and refrigerator . . Four to nine feet**



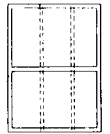
Plan adequate aisle space, allowing at least four feet between opposite work counters — more, if more people will regularly be working in the kitchen.

# WALL CABINET UNITS

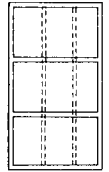
## 30" WALL CABINETS



END VIEW  
W 930  
W 1230  
W 1530  
W 1830  
W 2130  
W 2430

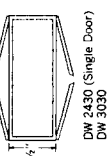


Finished Top & Bottom- Reversible  
W 2730  
W 3030  
W 3330  
W 4230

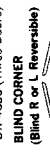


W 4530

## 30" DOUBLE ENTRY



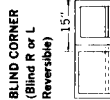
DW 2430 (Single Door)  
DW 3030  
DW 3630  
DW 4230  
DW 4830 (Three Doors)



BLIND CORNER (Blind R or L Reversible)  
DW 2430  
DW 3030  
DW 3630  
DW 4230  
DW 4830



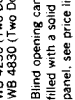
DWB 2430  
DWB 3030  
DWB 3630  
DWB 4230



BLIND CORNER (Blind R or L Reversible)  
WB 2430  
WB 3030  
WB 3630  
WB 4230 (Two Doors)  
WB 4830 (Two Doors)

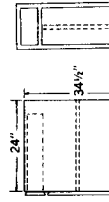


Blind opening can be filled with a solid alder panel, see price list.

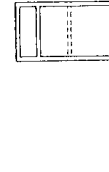


B 27  
B 36  
B 39  
B 53  
B 42

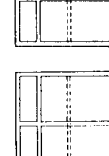
## REGULAR BASES



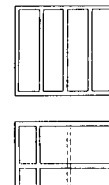
END VIEW  
BTR 9 (One Divider) L ONLY



B 12\*  
B 15\*  
B 18\*  
B 21\*  
B 24\*



B 45  
B 48



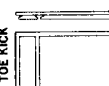
BD 12  
BD 15  
BD 18  
BD 21  
BD 24

## SINK CABINETS W/CLEATS (NO SHELF-NO BACK)



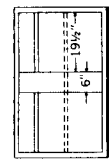
SC 24\*  
SC 36  
SC 42  
SC 30  
SC 42  
SC 33  
SC 45 (Three Doors)  
SC 48 (Three Doors)

## SINK FRONTS W/FLOOR & TOE KICK



SC 24\*  
SC 36  
SC 42  
SC 30  
SC 42  
SC 33  
SC 45 (Three Doors)  
SC 48 (Three Doors)

## BLIND CORNER CABINETS REVERSIBLE BY CHANGING DOOR & DRAWER SPECIFY BLIND R OR L



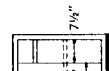
BB 36  
BB 42  
BB 48  
BB 36  
BB 42  
BB 48

## 15" WALL CABINETS



W 3015  
W 3115  
W 3215  
W 3315

## 12" WALL CABINETS



W 3012  
W 3112  
W 3212  
W 3312

NOTE: Numbers indicate size of cabinets available. First two numbers indicate width and last two numbers indicate height.

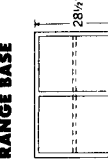
# BASE CABINET UNITS

## DOUBLE ENTRY BASE



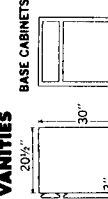
DBB 36  
DBB 42  
DBB 48  
(Three Doors one side)

## HIGH LEVEL RANGE BASE



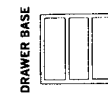
BR 30 (30" Wide)  
BR 40 (40" Wide)

## VANITIES



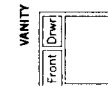
VD 12  
VD 15  
VD 18  
VD 21  
VD 24

## BASE CABINETS



VB 12\*  
VB 15\*  
VB 18\*  
VB 21\*  
VB 24\*

## DRAWER BASE



VSC 36  
VSC 39  
VSC 42  
VSC 48 (Three Doors)

## VANITY SINK CABINETS



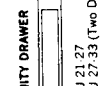
VS 24\*  
VS 36  
VS 42  
VS 30  
VS 45 (Three Doors)  
VS 33  
VS 48 (Three Doors)

## VANITY SINK FRONT WITH FLOOR & TOE KICK



VS 24\*  
VS 36  
VS 42  
VS 30  
VS 45 (Three Doors)  
VS 33  
VS 48 (Three Doors)

## VANITY DRAWER



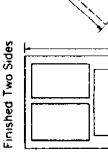
VDU 21, 27  
VDU 27, 33 (Two Drawers)

## LINEN, BROOM & STORAGE



CLOSETS: 24" Deep (D)  
12" Deep (S)  
Broom Closet w/ Cleats  
Shelves Optional  
Broom Closet  
No Shelves  
BR 18\*  
BR 24\*  
BR 30

## OVEN CABINETS



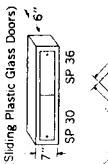
Finished Two Sides  
Universal Opening  
OOD 2484\*  
OOD 2784  
OCD 3084  
OCD 3384

## LAZY SUSANS



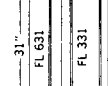
Rotating Corner Base Units  
CB3333\*  
CB3636

## SPICE CABINET



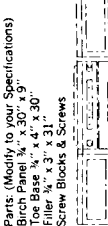
(Sliding Plastic Glass Doors)  
SP 30  
SP 36

## FILLERS



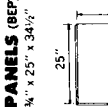
FL 631  
FL 331  
Corner CF 331  
TB 631  
TBC

## DROP-IN RANGE KIT (DRK)



Parts: (Modify to your Specifications)  
Birch Panel 1/2" x 30" x 9"  
Toe Base 1/2" x 4" x 30"  
Cutter, X 3/8" & Screws  
Screw Blocks & Screws

## BIRCH END PANELS (BEP)



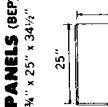
1/2" x 25" x 34 1/2"

## VALENCE (VA)



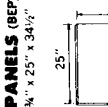
Lengths: 4' 6" 7'

## TILE MOULD (TM)



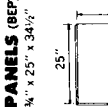
1/2" x 2" x 8"

## CROWN CEILING MOULD (CCM)



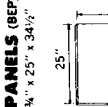
(8" pieces)

## CORNER MOULD (CM)



1/2" x 1/2" x 3"

## TRIM MOULD (TRM)



1/2" x 1/2"

## WHAT NOT SHELVES (WNS)



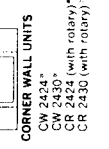
Set Includes Toe Base Reversible R or L  
IWN 12  
BWN 24  
IWN 24

## FINISHED BACK PANELING (FBP)



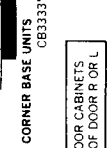
4" Min Birch  
W  
H  
FBP 24 x 34 1/2"  
FBP 48 x 34 1/2"  
FBP 24 x 84"  
FBP 48 x 84"

## CORNER WALL UNITS



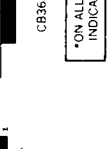
CR 2430  
CR 2430\*  
CR 2424 (with rotary)  
CR 2430 (with rotary)

## ROTATING CORNER BASE UNITS



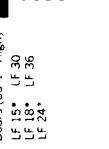
CB3333\*  
CB3636

## UNIVERSAL OPENING



OOD 2484\*  
OOD 2784  
OCD 3084  
OCD 3384

## FACE FRAME WITH DOORS (83 1/2" HIGH)



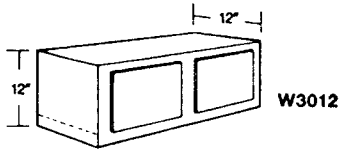
LF 15\*  
LF 30  
LF 36  
LF 39\*  
LF 42\*

# CLOSETS & OVEN CABINETS

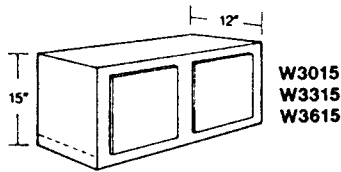
\*ON ALL SINGLE DOOR CABINETS INDICATE HINGE OF DOOR R OR L

# SCHEIRICH

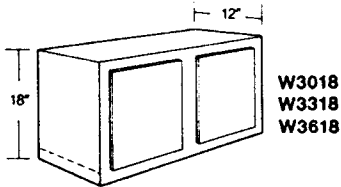
## STANDARD WALL CABINETS



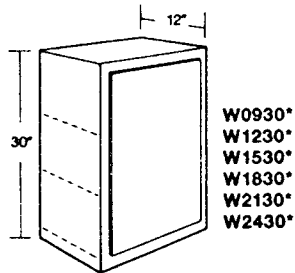
W3012



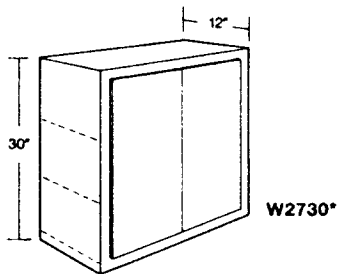
W3015  
W3315  
W3615



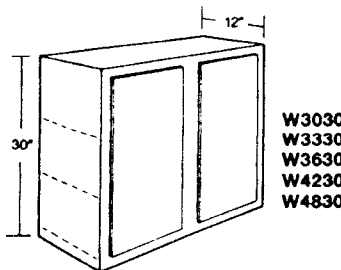
W3018  
W3318  
W3618



W0930\*  
W1230\*  
W1530\*  
W1830\*  
W2130\*  
W2430\*

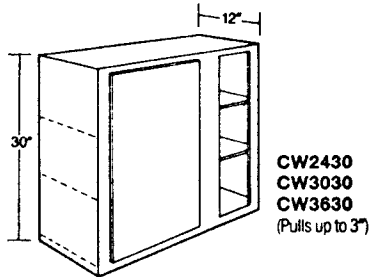


W2730\*

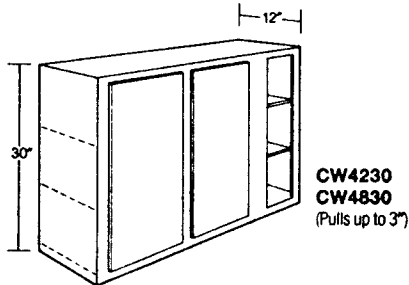


W3030  
W3330  
W3630  
W4230  
W4830

## CORNER WALL CABINETS

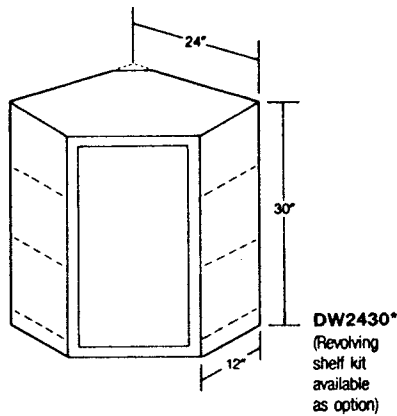


CW2430  
CW3030  
CW3630  
(Pulls up to 3")



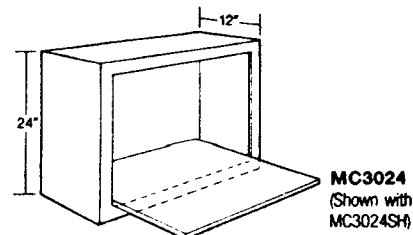
CW4230  
CW4830  
(Pulls up to 3")

## DIAGONAL WALL CABINET



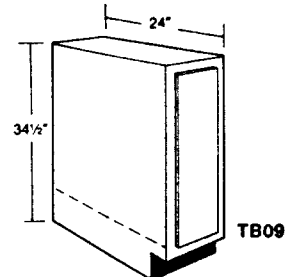
DW2430\*  
(Revolving shelf kit available as option)

## MICROWAVE WALL CABINET

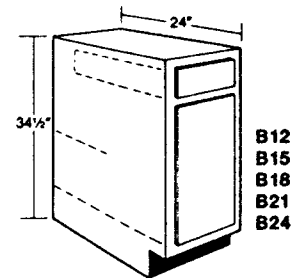


MC3024  
(Shown with MC3024SH)

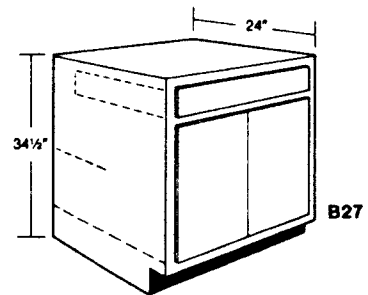
\*Note: Adjustable shelves.



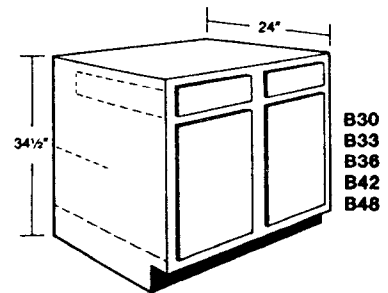
TB09



B12  
B15  
B18  
B21  
B24



B27

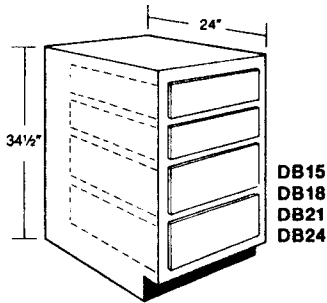


B30  
B33  
B36  
B42  
B48

# CABINETS

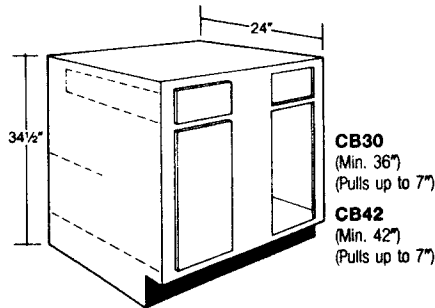
CITATION & SIERRA

## DRAWER BASE CABINETS

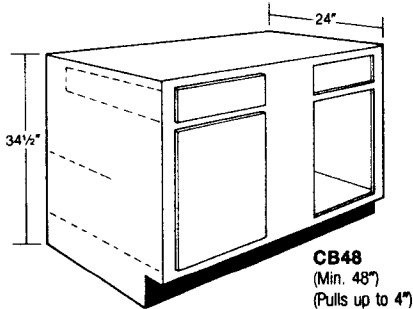


DB15  
DB18  
DB21  
DB24

## CORNER BASE CABINETS

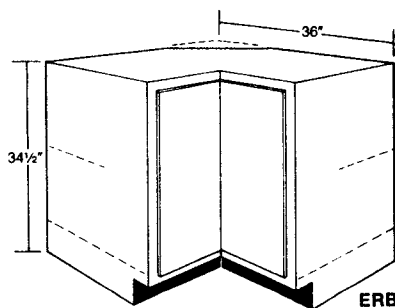


CB30  
(Min. 36")  
(Pulls up to 7")  
CB42  
(Min. 42")  
(Pulls up to 7")



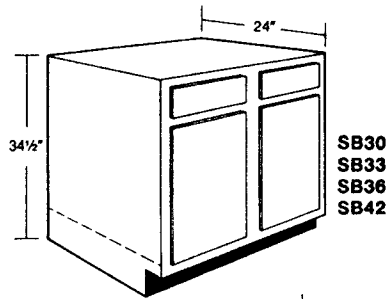
CB48  
(Min. 48")  
(Pulls up to 4")

## SPECIALTY CORNER CABINET

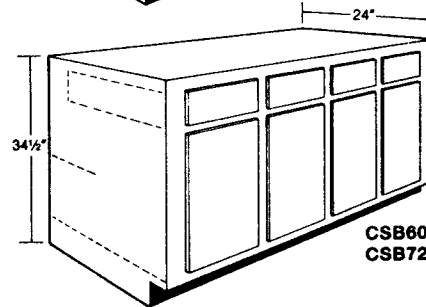


ERB36  
(Revolving  
shelf kit  
available  
as option)

## SINK BASE CABINETS

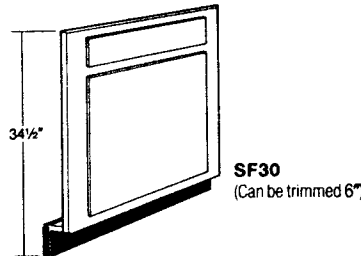


SB30  
SB33  
SB36  
SB42

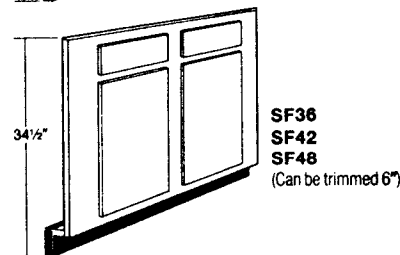


CSB60  
CSB72

## SINK FRONTS

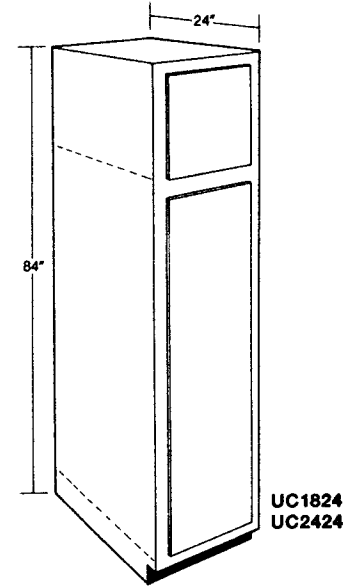


SF30  
(Can be trimmed 6")



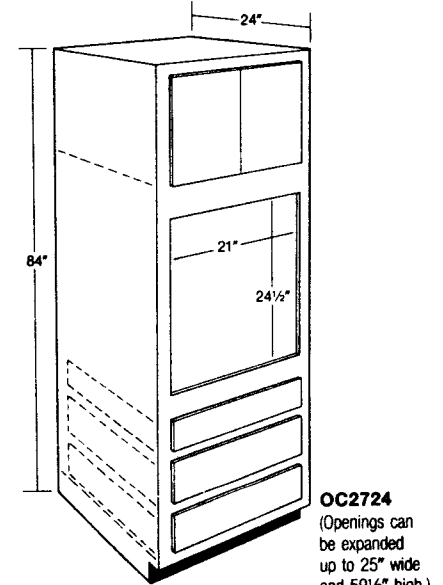
SF36  
SF42  
SF48  
(Can be trimmed 6")

## UTILITY CABINETS



UC1824  
UC2424

## OVEN CABINET



OC2724  
(Openings can  
be expanded  
up to 25" wide  
and 59 1/2" high.)

## PHOENIX SERIES SPECIFICATIONS

### CONSTRUCTION

Phoenix Series cabinets combine the strength of fine hardwood with the dimensional stability of particle-board. Front frames are precision cut and joined with mortise and tenon construction. Shelves are adjustable in all single opening wall cabinets. Various door styles are available, incorporating the use of warp-resistant materials.

### DRAWERS

Phoenix Series drawers feature a modern captive roller side-glide system. Drawer bodies are made to withstand normal use for many years.

### HARDWARE

All door and drawer fronts are back beveled for easy opening. Optional hardware can also be added, if desired.

### FINISH

The Phoenix Series finish has been designed to give you years of service. The baked-on finish will resist the everyday wear and tear found in the household and is not damaged or stained by materials such as vinegar, citrus juices, or even alcohol.

### PANELS

- 2430P — Oak Panel - 3/16" x 23 7/8" x 30" - 1 per pack
- 4836P — Oak Panel - 3/16" x 48" x 36" - 2 per pack
- 4896P — Oak Panel - 3/16" x 48" x 96" - 2 per pack

### SHELF KITS

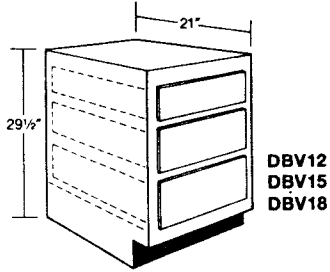
- SK1824 — Adjustable Shelf Kit for UC1824
- SK2424 — Adjustable Shelf Kit for LC2424
- LSW — Revolving Shelf Kit for DW2430
- LSB — Revolving Shelf Kit for ERB36

In keeping with our policy of continuous product refinement and improvement, the H. J. Scheirich Company reserves the right to alter specifications without general notice or obligation to make similar changes in units previously shipped.

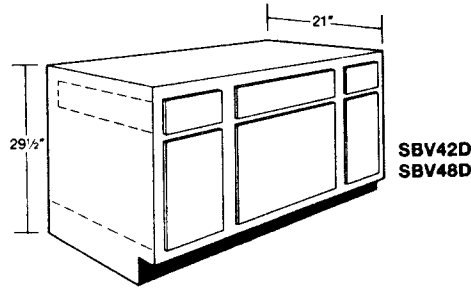
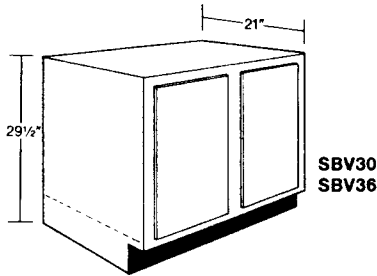
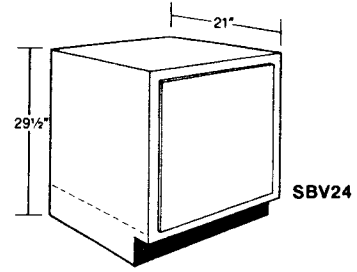
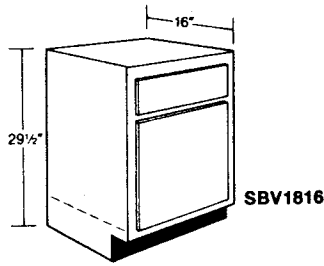
# VANITIES AND PARTS

CITATION & SIERRA

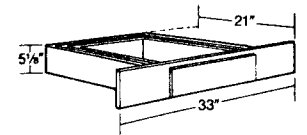
## DRAWER BASE VANITIES



## SINK BASE VANITIES

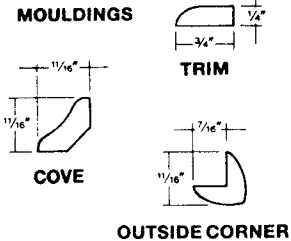
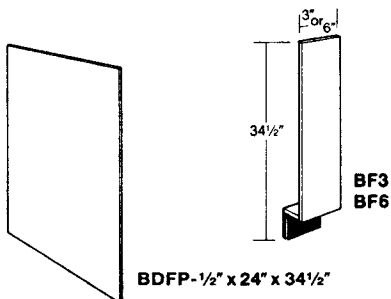
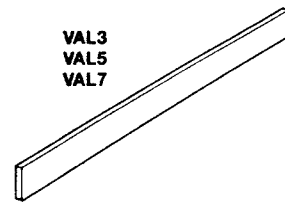
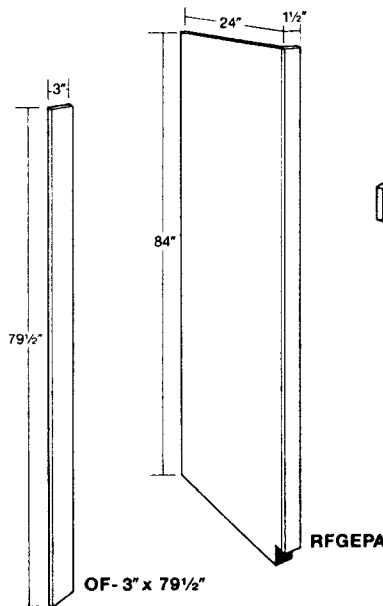
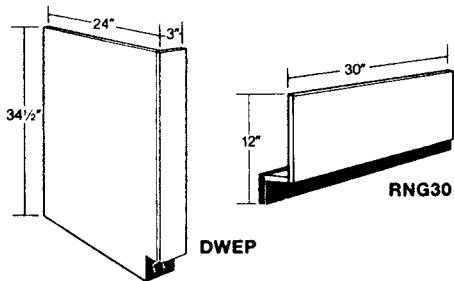


## VANITY DRAWER



**DRU33**  
(Can be trimmed up to 15")

## PARTS



# SCHEIRICH CABINETRY

FINE FURNITURE FOR THE KITCHEN AND BATH



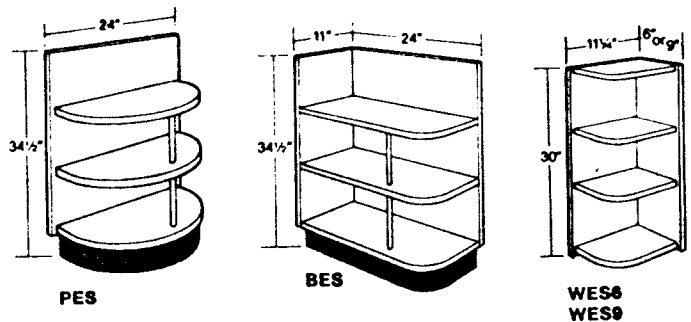
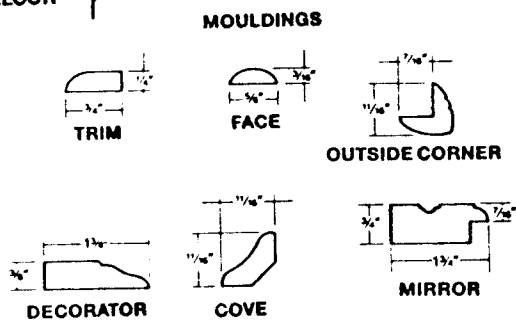
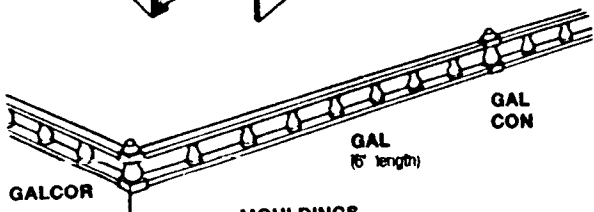
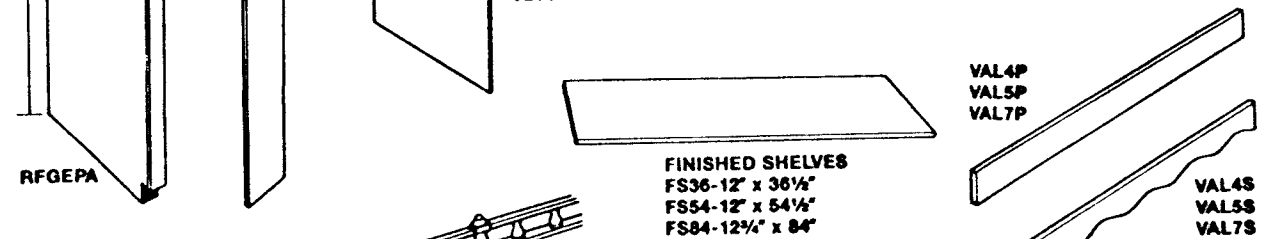
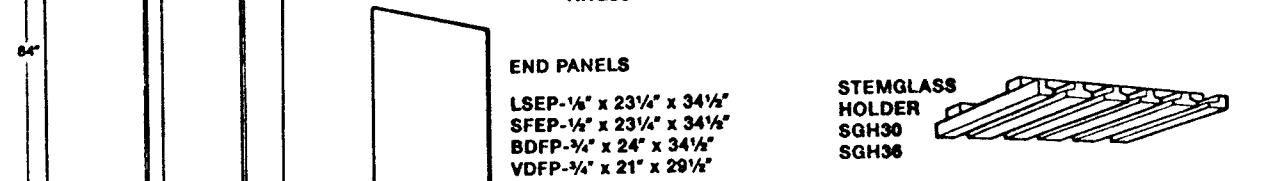
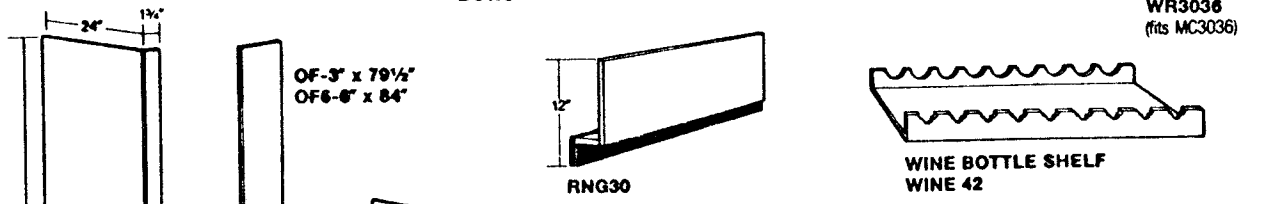
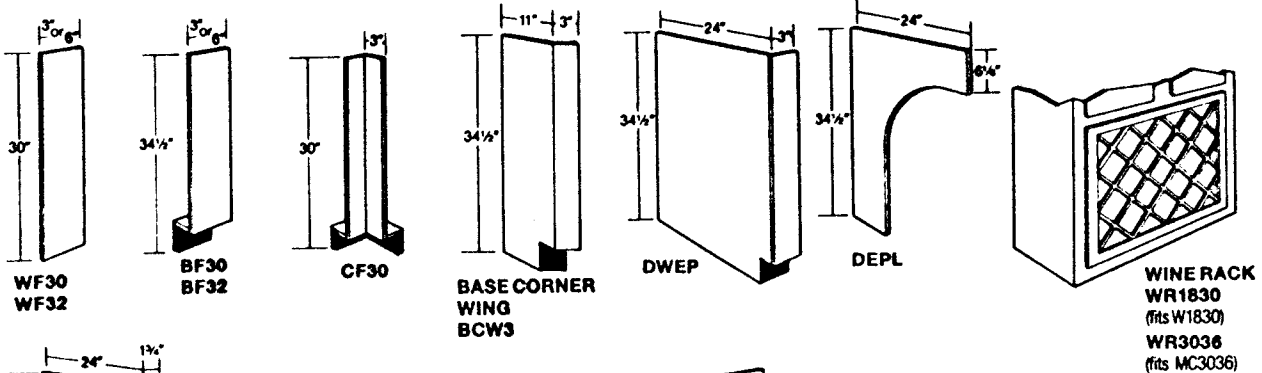
HJS9890-11/86

H.J. Scheirich Co., P. O. Box 37120, Louisville, KY. 40233



# PARTS AND ACCESSORIES

CASTLEWOOD & QUEENSWOOD



# SCHEIRICH CABINETRY

FINE FURNITURE FOR THE KITCHEN AND BATH